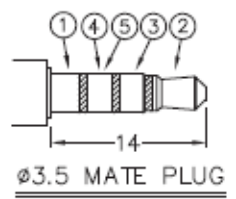
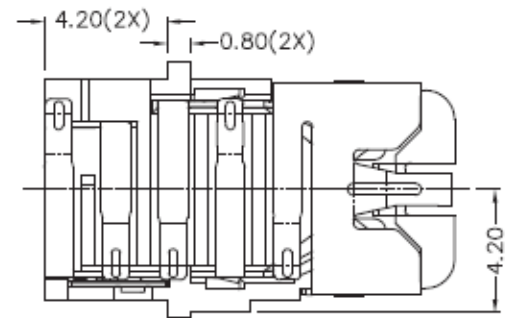
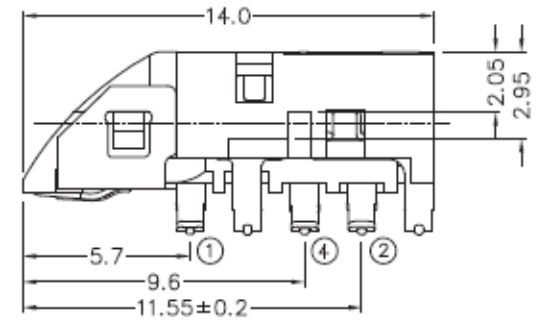
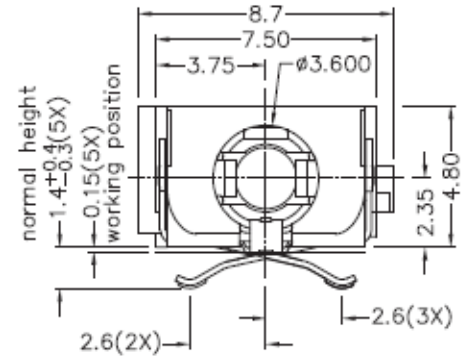
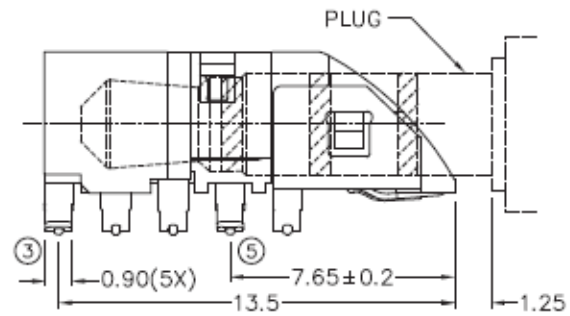
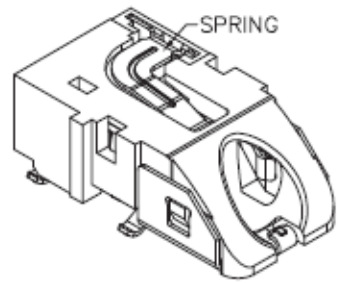
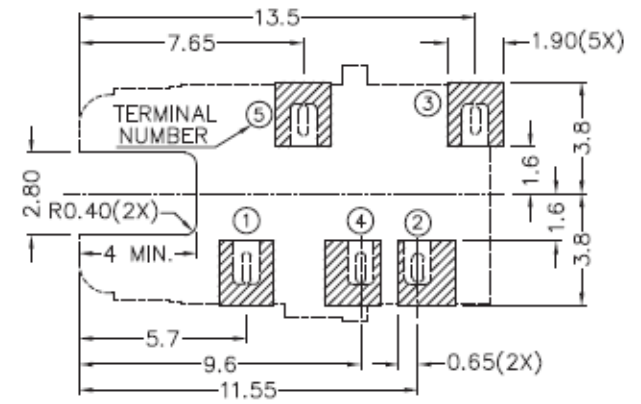
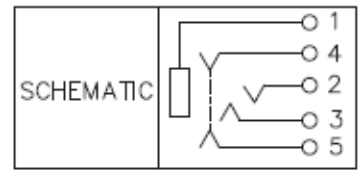


ZONE	SYMBOL	REVISION	APPROVAL	DATE



*** MATERIAL**

- TERMINAL 1 : COPPER ALLOY
- TERMINAL 2 : COPPER ALLOY
- TERMINAL 3 : COPPER ALLOY
- TERMINAL 4 : COPPER ALLOY
- TERMINAL 5 : COPPER ALLOY
- SPRING : COPPER ALLOY
- HOUSING : PA6T



PCB LAYOUT (TOP VIEW)

Rating: 1A/12V DC Max

銓基電子股份有限公司
ROKI ELECTRONICS CO., LTD.

PART NAME : PHONE JACK		SCALE :
PART NO : EJ66-PF		UNIT : mm
TOLERANCE : 0.0±0.2 mm / 0.00±0.1 mm / 0.000±0.05 mm		VER : R01